

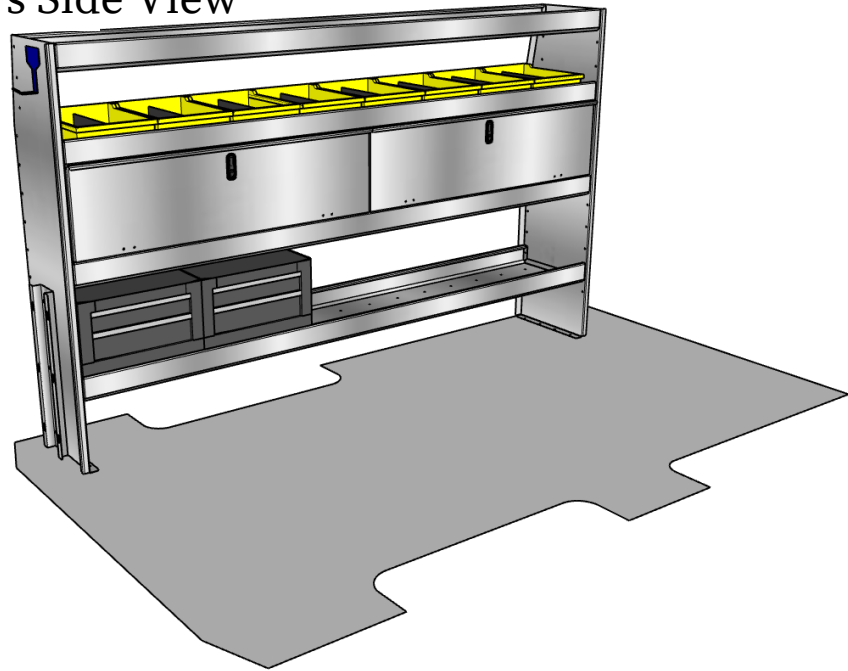
## PACKAGE INCLUDES

Item #	Description	Qty
1	96" Aluminum Shelf, 16"deep x 58"tall	1
2	60" Aluminum Shelf, 16"deep x 58"tall	1
3	Aluminum Bottle Rack, 5 Levels, 58"tall x 16"deep x 13"wide	1
4	48" Aluminum Locking Door, 14"tall x 48"long	2
5	Compact 2 Drawer Unit, 12.5"deep x 18.5"wide x 10.5"high	2
6	3" Fixed Hook	2
7	24" Aluminum Bottle Holder	1
8	14"Deep Plastic Bins, with center divider	8
9	14" Aluminum Shelf Divider	5
10	16" Aluminum Shelf Divider	10

# HVAC PACKAGE

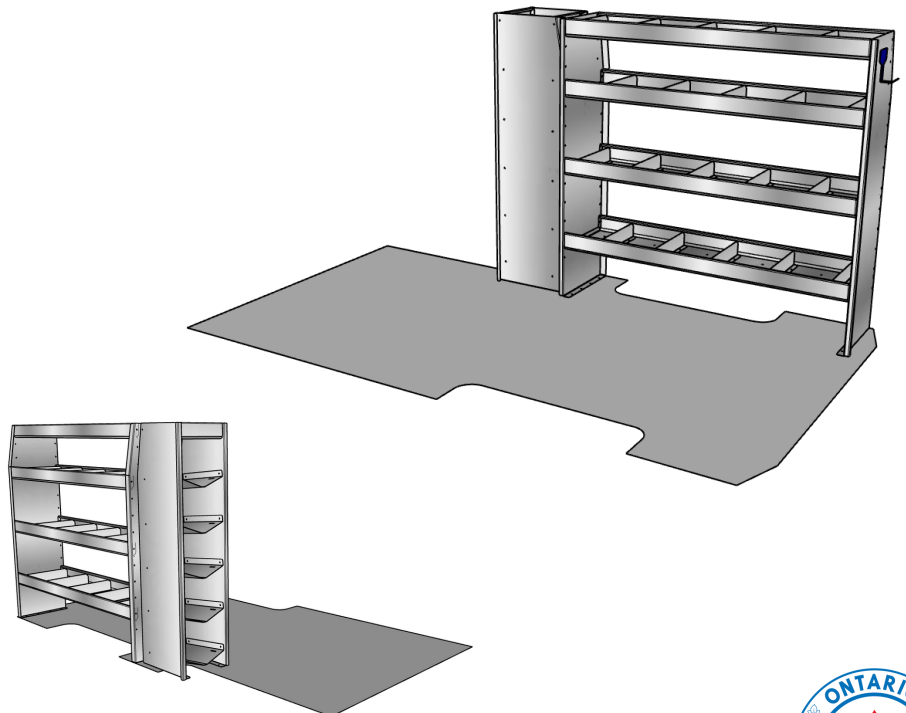
### Driver's Side View

- 96" Aluminum Shelf
- 48" Locking Door
- Compact 2 Drawer Unit
- 24" Bottle Holder
- 12" Deep Plastic Bins
- 3" Fixed Hook



### Passenger's Side View

- 60" Aluminum Shelf
- Aluminum Bottle Rack
- 14" Aluminum Shelf Divider
- 16" Aluminum Shelf Divider
- 3" Fixed Hook



# HVAC PACKAGE

